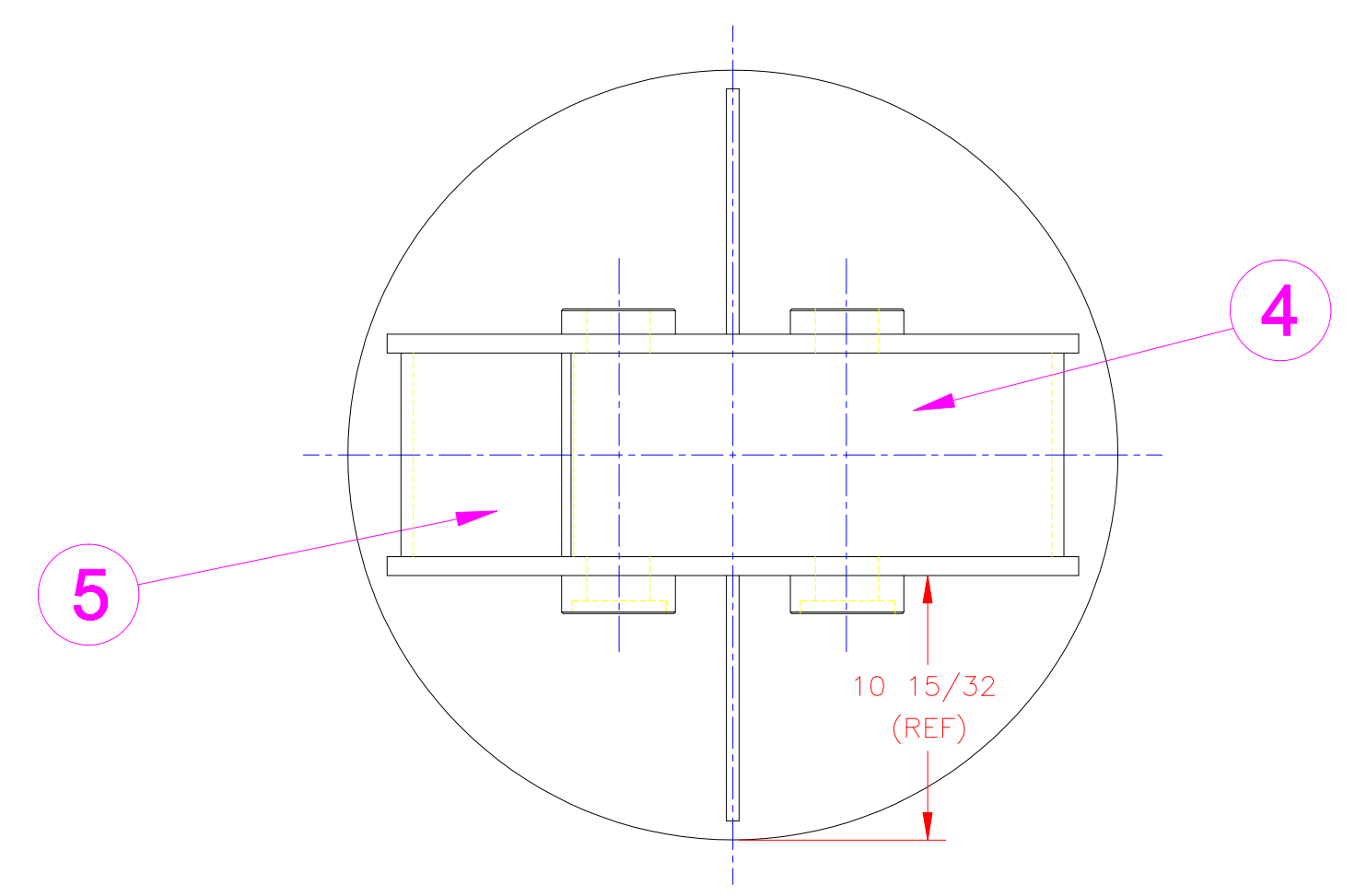
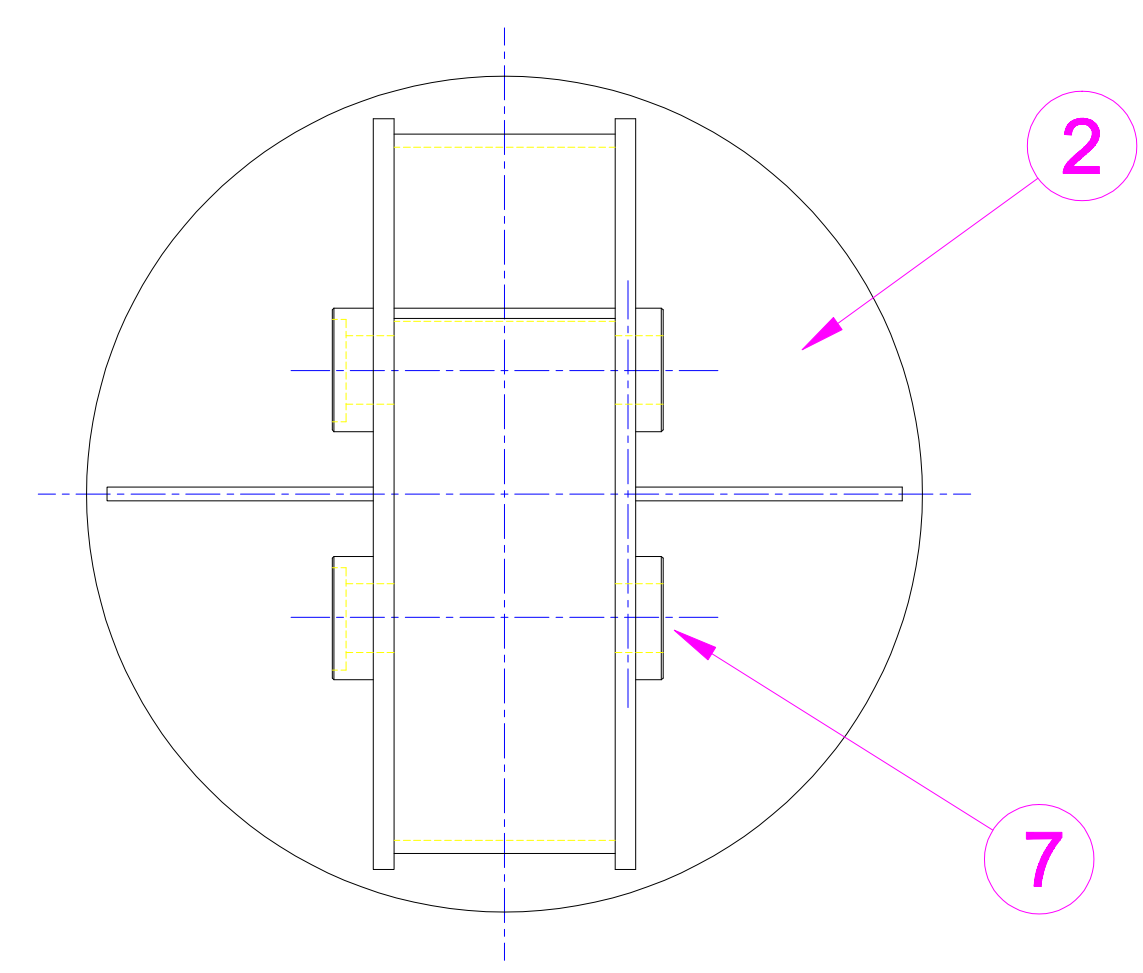
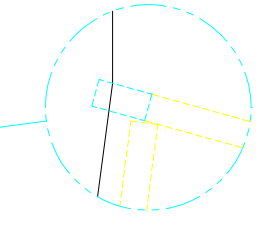


"DETAIL"



ITEM	PART NO.	DESCRIPTION	QTY.
7	6394-4	BOSS	2
6	8254	LOCKRING/BOSS	2
5	6428-2	REAR SUPPORT	1
4	6428-1	FRONT/CENTER SUPPORT	1
3	6429	SIDE GUSSET	2
2	6407	BASE PLATE	1
1	6427	SIDE PLATE	2

GRIZZLY KNUCKLEBOOM CRANES
CRANE EQUIPMENT MFG.

TOLERANCES (EXCEPT AS NOTED):
 DECIMAL: .010 MATERIAL: NOTED SCALE: 1=8 DRAWN BY: J. MAKINSON
 FRACTIONAL: 1/16 TITLE: 60" BOTTOM MOUNT TAMPER
 ANGLAR: 0°30' DATE: 3/17/03 DRAWING NUMBER: 6426