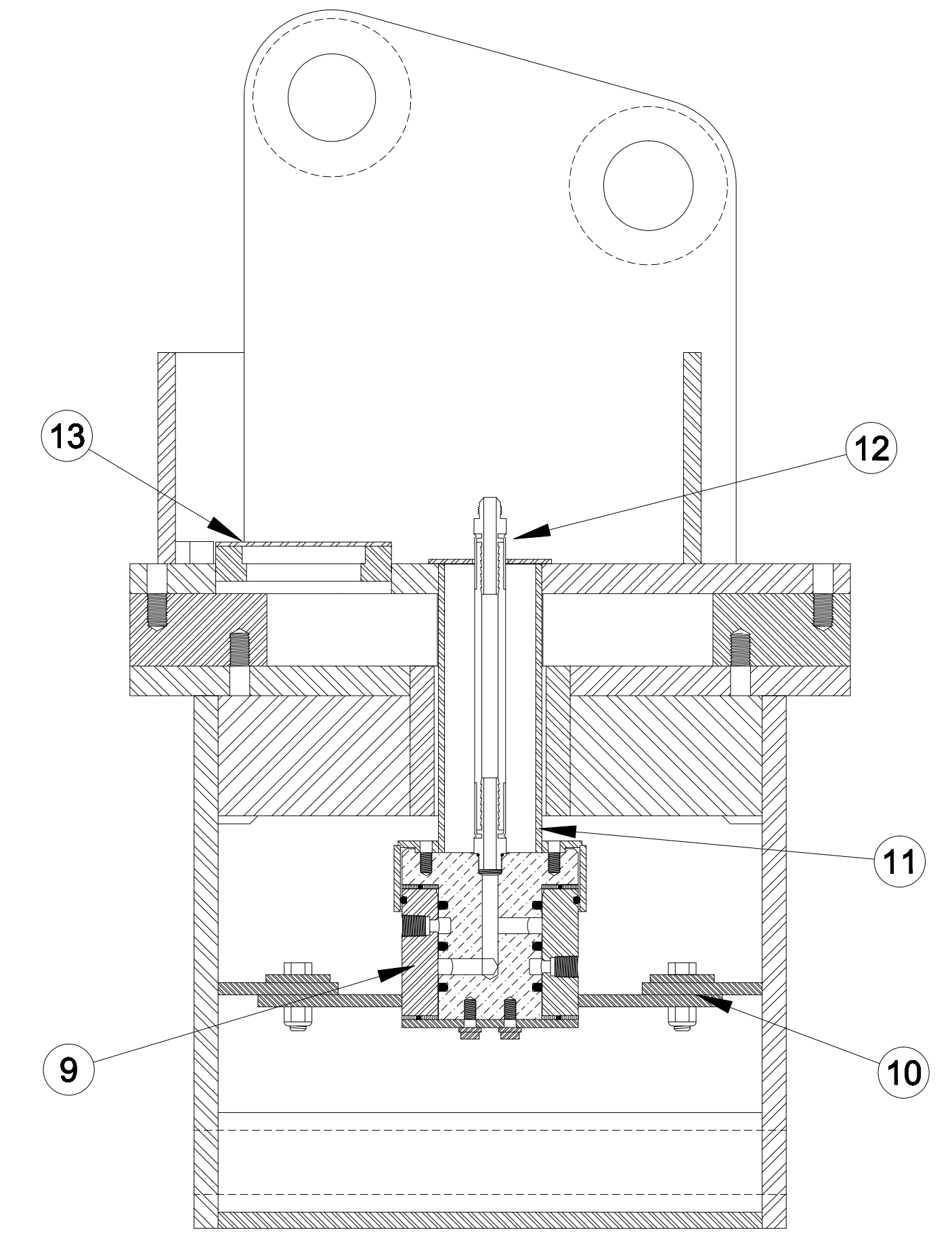
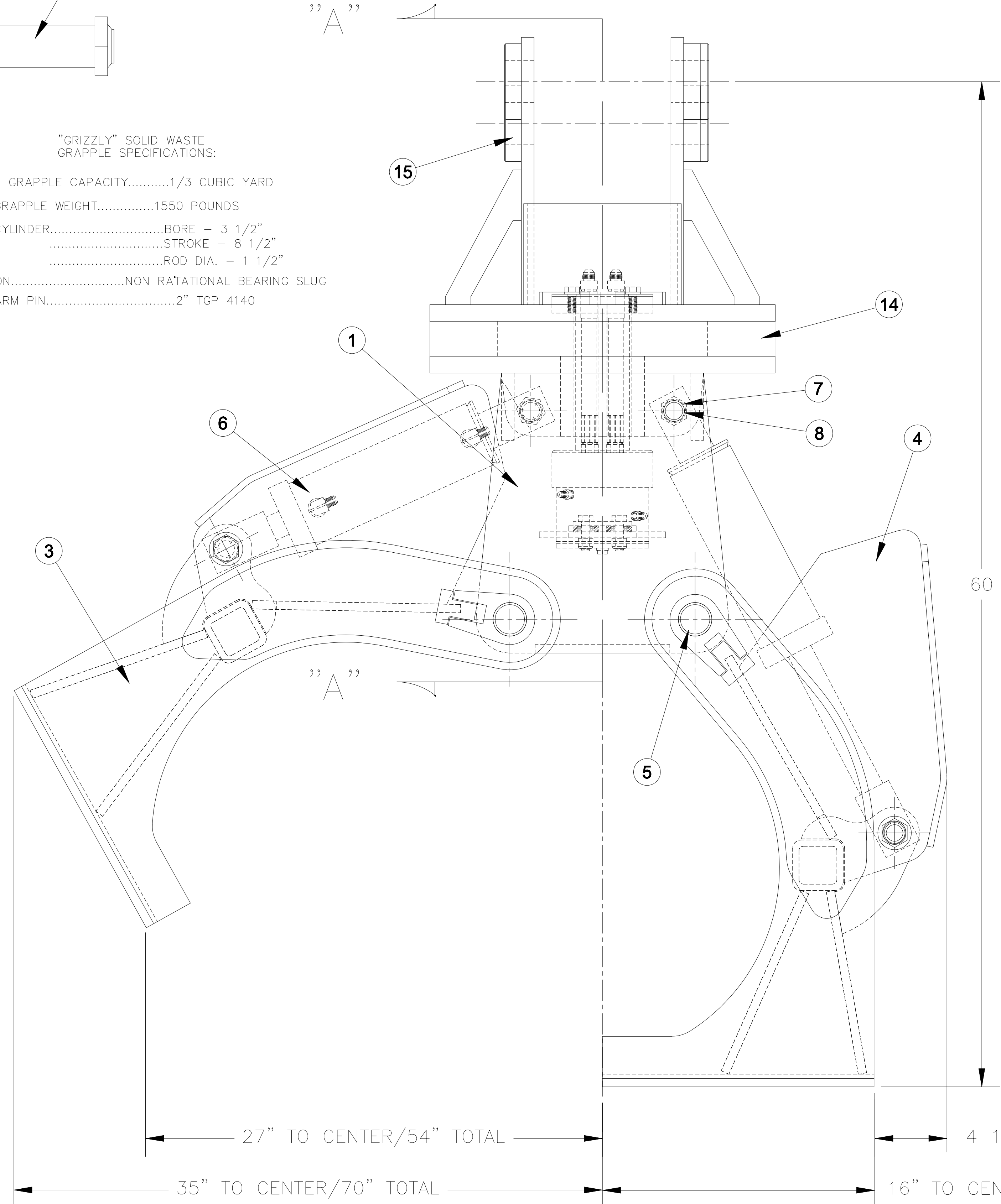
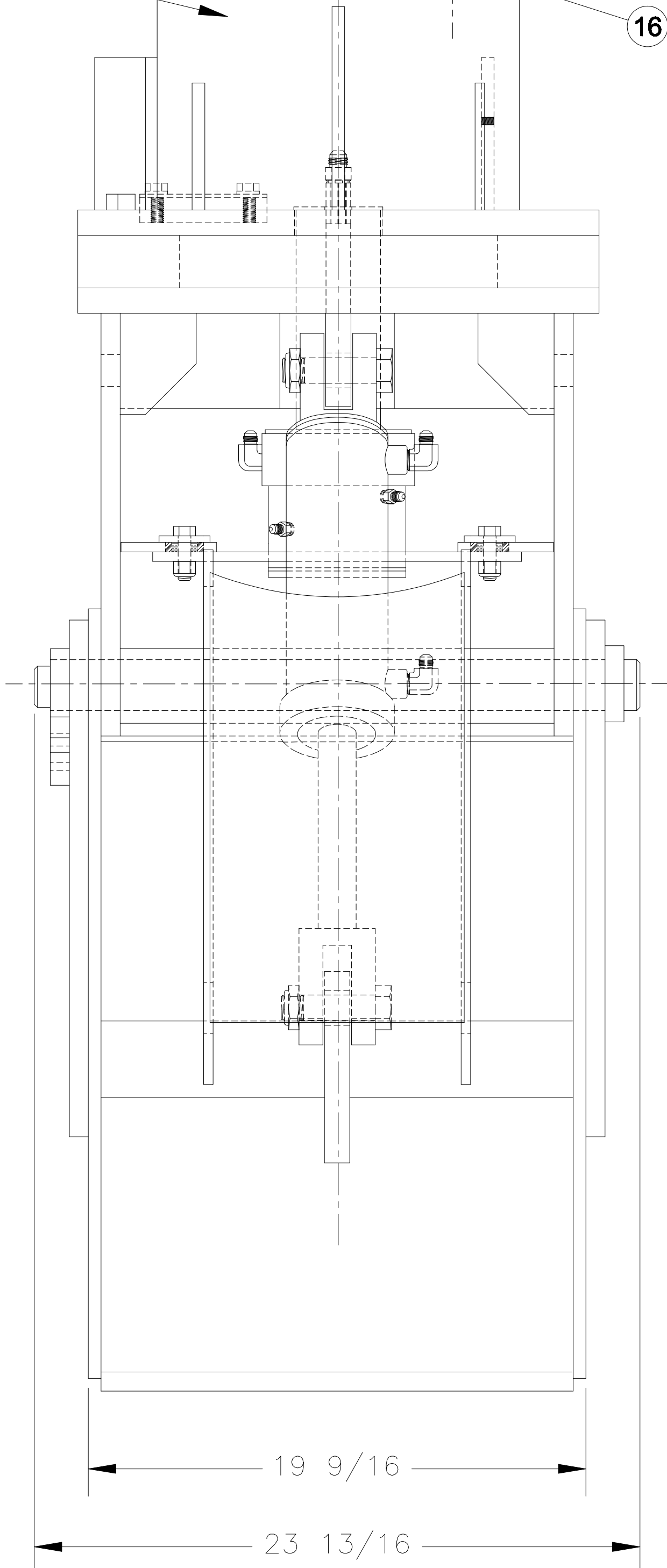


"GRIZZLY" SOLID WASTE GRAPPLE SPECIFICATIONS:  
 GRAPPLE CAPACITY.....1/3 CUBIC YARD  
 GRAPPLE WEIGHT.....1550 POUNDS  
 CYLINDER.....BORE - 3 1/2"  
 .....STROKE - 8 1/2"  
 .....ROD DIA. - 1 1/2"  
 ROTATION.....NON RATATIONAL BEARING SLUG  
 ARM PIN.....2" TGP 4140



SECTION "A" - "A"

| ITEM | PART NO.          | DESCRIPTION               | QTY |
|------|-------------------|---------------------------|-----|
| 19   | 2NCJNL            | NUT                       | 2   |
| 18   | 8252-3            | PIN (WRISTING TO GRAPPLE) | 1   |
| 17   | 8252-3WZ          | PIN (BOOM TO GRAPPLE)     | 1   |
| 16   | 8251              | LOCK RING                 | 2   |
| 15   | 2 1/2 X 4 1/2 X 1 | BOSS                      | 4   |
| 14   | 6319              | MOTOR MOUNTING PLATE      | 1   |
| 13   | 6433              | BEARING SLUG              | 1   |
| 12   | SEH-8             | SWIVEL EXTENSION HOSE     | 2   |
| 11   | 6415              | SWIVEL EXTENSION/COVER    | 1   |
| 10   | 6370              | SWIVEL MOUNTING ASSEMBLY  | 1   |
| 9    | 2446              | HYDRAULIC SWIVEL          | 1   |
| 8    | 8491A196          | CYLINDER ANCHOR INSERT    | 4   |
| 7    | GCB1NCJNL         | CYLINDER BOLT/NUT         | 4   |
| 6    | 1109              | CYLINDER                  | 2   |
| 5    | 8235              | ARM PIN W/RETAINER        | 2   |
| 4    | 6358              | CYLINDER GUARD            | 2   |
| 3    | 6223              | ARM ASSEMBLY              | 2   |
| 2    | 6326              | UPPER HEAD ASSEMBLY       | 1   |
| 1    | 6333              | LOWER HEAD ASSEMBLY       | 1   |

**GRIZZLY** KNUCKLEBOOM CRANES

**CRANE EQUIPMENT MFG.**

TOLERANCES (EXCEPT AS NOTED):  
 DECIMAL: ± .010  
 FRACTIONAL: ± 1/16  
 ANGULAR: ± 0°30'

MATERIAL: NOTED  
 SCALE: 1=4  
 DRAWN BY: J. MAKINSON  
 APPROVED BY:

TITLE: COMPACTOR GRAPPLE  
 DATE: 7/18/11  
 DRAWING NUMBER: 6369SPBC